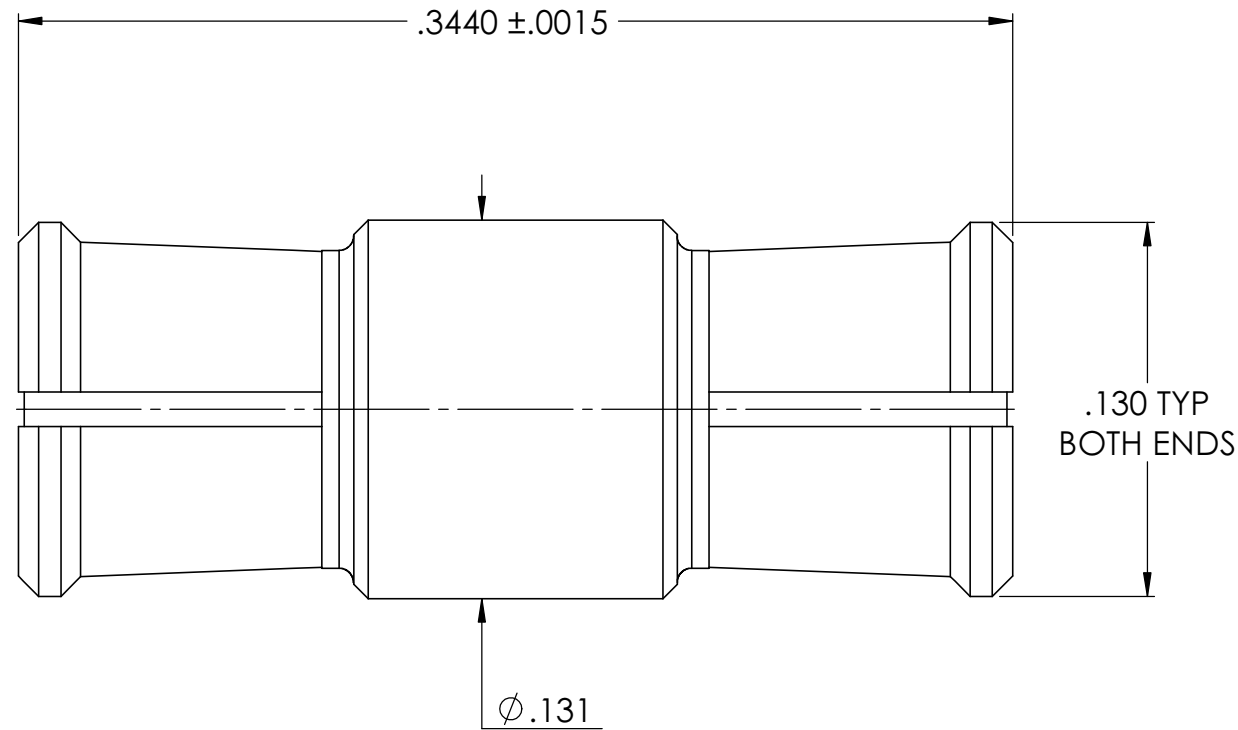
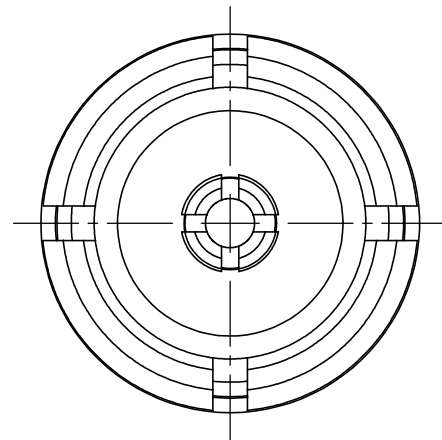
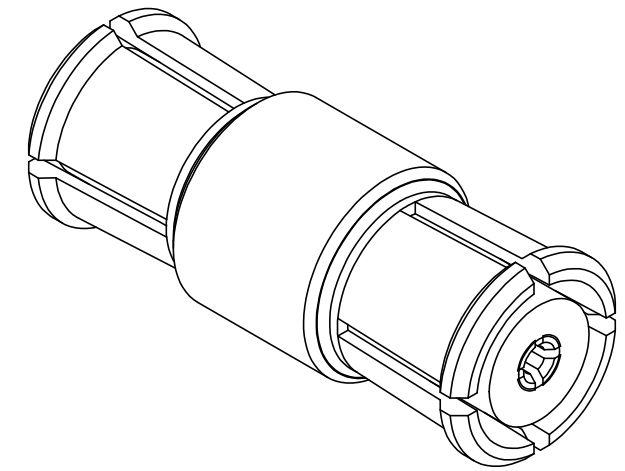




DELTA
Electronics Mfg. Corp.

8628000G001-016



MECHANICAL SPECIFICATIONS

DURABILITY	1000 MATES
CAPTIVATION - CONTACT	2.0 LBS MIN

ELECTRICAL SPECIFICATIONS

FREQUENCY RANGE	DC - 40 GHz
VSWR	DC - 10 GHz: 1.2:1 MAX 10 - 18 GHz: 1.4:1 MAX 18 - 40 GHz: 1.5:1 MAX
IMPEDANCE	50 ± 2 OHMS
DWV @ SEA LEVEL	500 Vrms
INSULATION RESIST.	5,000 megohms

ENVIRONMENTAL SPECIFICATIONS

SHOCK	MIL-STD-202, METH. 213 COND I
VIBRATION	MIL-STD-202, METH. 204 COND D
ALTITUDE	MIL-STD-202, METH. 105 COND C
THERMAL SHOCK	MIL-STD-202, METH. 107 COND B
TEMP RANGE	-65° TO +125° C

NOTES:

- ASSEMBLED CONNECTOR INTERFACE IS DESIGNED IN ACCORDANCE WITH MIL-STD-348.

DESCRIPTION	MATERIAL	FINISH
CONTACT	BERYLLIUM COPPER PER ASTM B196, C17300, TEMPER TD04	GOLD PLATE PER ASTM B488, TYPE 2, CLASS 1.27
INSULATOR	TEFLON PER ASTM D1710, TYPE 1, GRADE 1, CLASS A.	
BODY	BERYLLIUM COPPER PER ASTM B196, C17300, TEMPER TD04	GOLD PLATE PER ASTM B488, type 2, class 1.27

Table 1

PROPRIETARY AND CONFIDENTIAL
THE INFORMATION CONTAINED IN THIS DRAWING IS THE SOLE PROPERTY OF DELTA ELECTRONICS MFG CORP. ANY REPRODUCTION IN PART OR AS A WHOLE WITHOUT THE WRITTEN PERMISSION OF DELTA ELECTRONICS MFG CORP. IS PROHIBITED.

FILE NAME: 8628000G001-016T

UNLESS OTHERWISE SPECIFIED:

DIMENSIONS ARE IN INCHES
TOLERANCES:
FRACTIONAL ± 1/64
ANGULAR: MACH ± 1° BEND ± 1°
TWO PLACE DECIMAL ± .01
THREE PLACE DECIMAL ± .005
SURFACE FINISH = 63
MAX. CORNER BREAKS = .004



THIRD ANGLE PROJECTION
MATERIAL
SEE TABLE

FINISH
SEE TABLE

SCALE: 16:1

	NAME	DATE
DRAWN	ADK	7/25/2016
CHECKED	ADK	7/25/2016
ENG APPR.	BJM	7/25/2016

COMMENTS:

DELTA ELECTRONICS MFG CORP.
BEVERLY, MA 01915
www.deltarf.com / Ph: 978-927-1060 / Fax: 978-922-6430

TITLE:
**SMP
ADAPTER FEMALE - FEMALE
.344 LONG**

SIZE B	DWG. NO. 8628000G001-016	REV -
------------------	-----------------------------	----------

CODE ID - 00795 WEIGHT: 0.26 g SHEET 1 OF 1