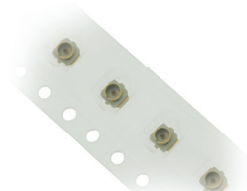
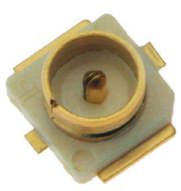


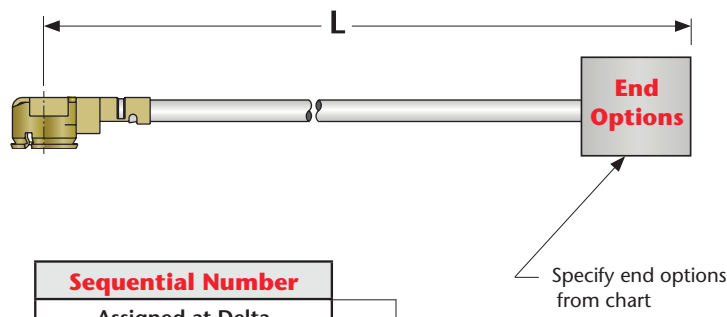
MHF/U.FL Series



Introduction

The Delta MHF/U.FL series ultra miniature coaxial interconnect system is designed for use in today's compact wireless devices. Its low mated height of less than 2.5mm and equally small footprint of just 7.7mm² are impressive for a connector with an operational frequency range of DC to 6 GHz. Packaged on tape and reel, the receptacles are designed to be placed with automatic "pick and place" equipment. The plugs are ordered on cable assemblies with a variety of ultra fine coaxial cables, as well as a few select RG type cables. These assemblies can be configured in MHF/U.FL plug to MHF/U.FL plug, MHF/U.FL pigtail, as well as MHF/U.FL plug to multiple standard connector options such as: SMA, MCX, MMCX and others. See the illustration below for information required for constructing a Delta part number to describe your specific configuration.

How to specify MHF/U.FL Cable Assemblies



Sequential Number
Assigned at Delta

C94 XX XXX X-XXX

End Options
10 – BNC
11 – N
12 – TNC
13 – SMA
94 – U.FL
95 – MMCX
98 – MCX
97 – Other*
00 – None

Cable Group
038 – RG 178, 196
404 – .81mm Cable
405 – 1.13mm Cable
406 – 1.32mm Cable
407 – 1.37mm Cable
999 – Other

Cable Length (mm) i.e.:
50mm = 050
50.5mm = 050.5
500mm = 500

*For additional end options, please contact the factory.



(978) 927.1060 • www.deltarf.com

Specifications

Electrical Specifications:

- Nominal Impedance: 50 Ohms
- Frequency Range: DC to 6 GHz
- VSWR: 1.35 max
- Voltage Rating: 170V max
- DWV: 200 Vrms
- Contact Resistance:
 - Center Contact: 6 megohms max
 - Outer Contact: 2 megohms max
- Insulation Resistance: 5,000 megohms

Mechanical Specifications:

Operating Temperature: -40°C to +90°C

Materials:

Outer Contact: Phosphor Bronze, Au Over Ni
 Center Contact: Phosphor Bronze, Au Over Ni
 Insulator: Polybutylene Terephthalate (PBT)

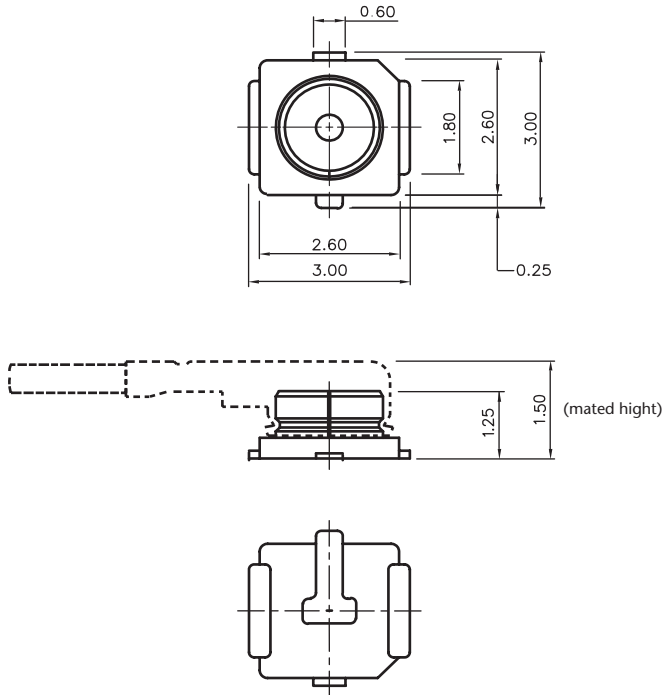
RoHS Compliant: Yes

Applications

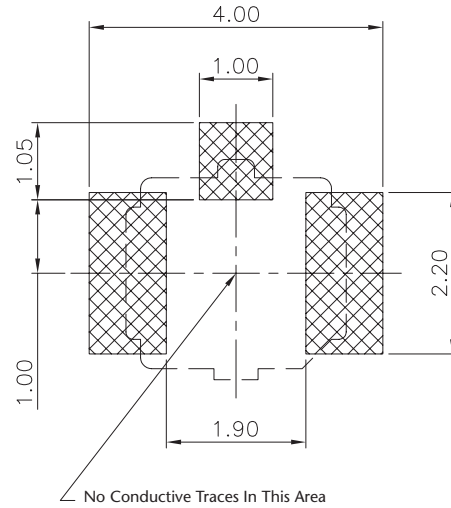
Due to their incredibly small size and operational frequency range, MHF/U.FL connectors and assemblies are ideally suited for applications in mobile phones, wireless communication devices, instrumentation, test points, GPS, Bluetooth, and all applications requiring a compact, high frequency (6 GHz), coaxial connection.



Receptacles



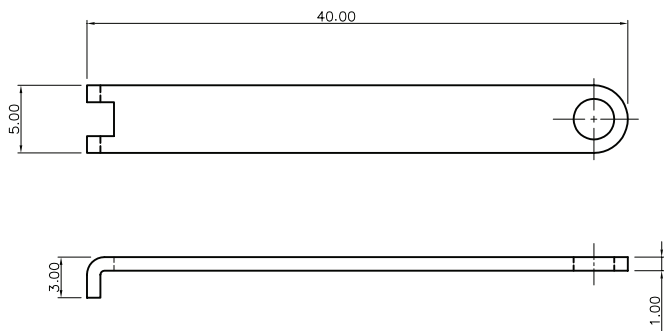
9467000G91P-503*



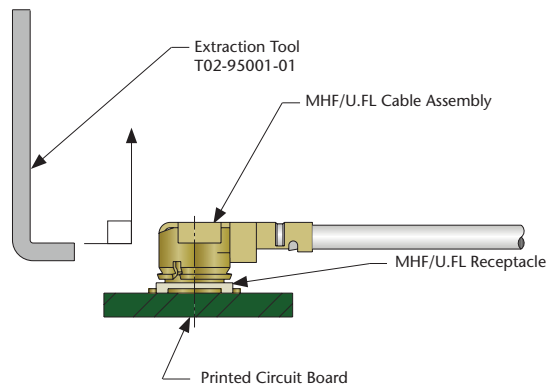
Recommended PCB Mounting Pattern

*Receptacles sold tape and reel (5,000 pcs per reel), for quantities less than 5,000 pcs use Delta P/N: 9467000G91P-502

Plug Extraction Tool



**T02-95001-01
Extraction Tool**



Proper Mating

- 1) To disconnect connectors, insert the end portion of extraction tool #T02-95001-01 under the flanges of the plug and pull straight up, in the direction of the connector mating axis.
- 2) To mate the connectors, the mating axes of both connectors must be aligned before attempting to mate. A tactile "click" will confirm the fully mated position.
Note: Proper vertical alignment must be maintained during mating and unmating.