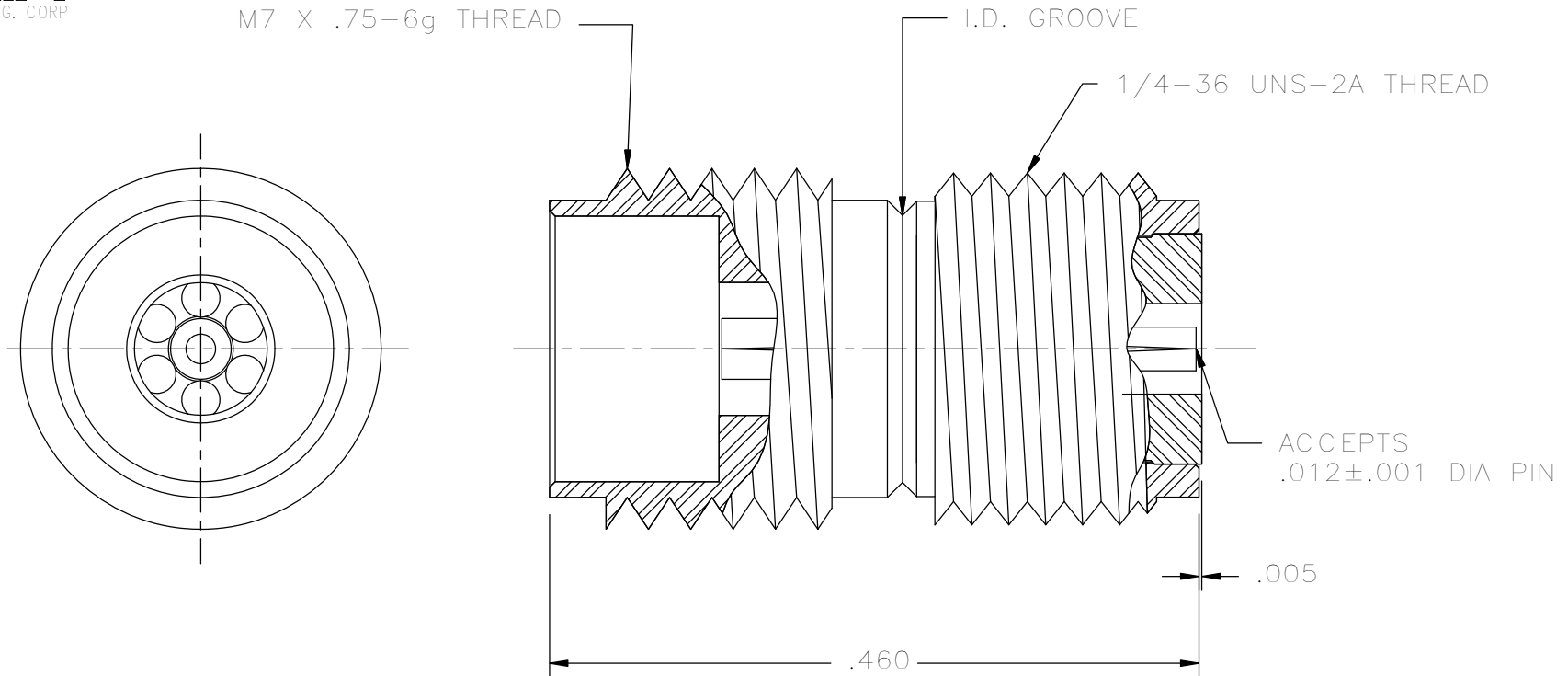


8021-000-K821



NOTES:

1. MATERIAL: BODY & BUSHING - CORROSION RESISTANT STEEL PER ASTM A582  
 INSULATOR - OXIDE NORYL PER MIL-P-46129  
 CONTACT - BERYLLIUM COPPER PER ASTM B196.
2. FINISHES: BODY & BUSHING - PASSIVATE PER QQ-P-35  
 CONTACT - GOLD PLATE PER MIL-G-45204
3. ELECTRICAL: FREQUENCY: DC TO 50 GHz  
 NOM. IMPEDANCE: 50 OHMS  
 TEMPERATURE RATING: -55°C TO +125°C  
 VSWR DC - 50 GHz: 1.25 MAX.  
 DIELECTRIC WITHSTANDING VOLTAGE (SEA LEVEL): 500 VOLTS RMS  
 RF LEAKAGE: -(90 - f(GHz))dB, FULLY MATED

DELTA ELECTRONICS MFG. CORP. Beverly, MA 01915

TITLE: 2.4mm BULKHEAD JACK RECEPTACLE  
 - ACCEPTS .012 DIA PIN

UNLESS OTHERWISE SPECIFIED TOLERANCES: 3 PLACES = ±.002, PLACES = ±.02 ANGLES = ±1/2°, SURFACE FINISH = 63 μALT.

Drawn by BJM 8/11/03	Scale 8/1	Ckd. by MR	Engr Appd MR	FILE NAME: 8021000K821-000T
----------------------------	--------------	---------------	-----------------	--------------------------------

THESE DRAWINGS AND SPECIFICATIONS ARE THE PROPERTY OF DELTA ELECTRONICS MFG CORP. AND SHALL NOT BE REPRODUCED, OR COPIED OR USED AS THE BASIS FOR THE MANUFACTURE OR SALE OF APPARATUS OR DEVICES WITHOUT THEIR EXPRESS WRITTEN CONSENT.

CODE IDENT.-00795

8021-000-K821