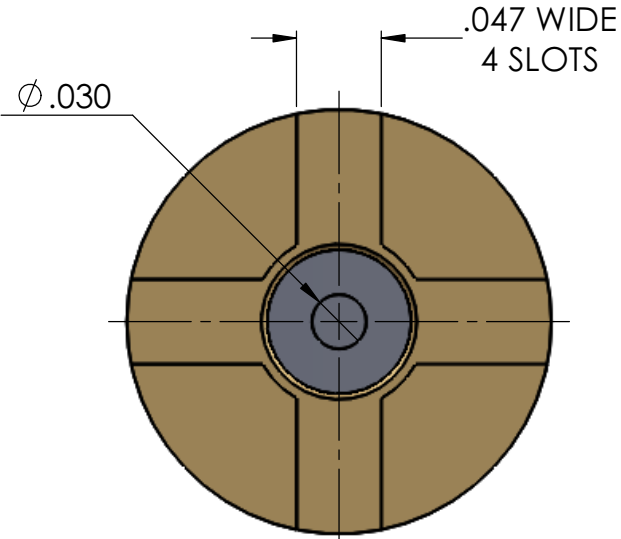
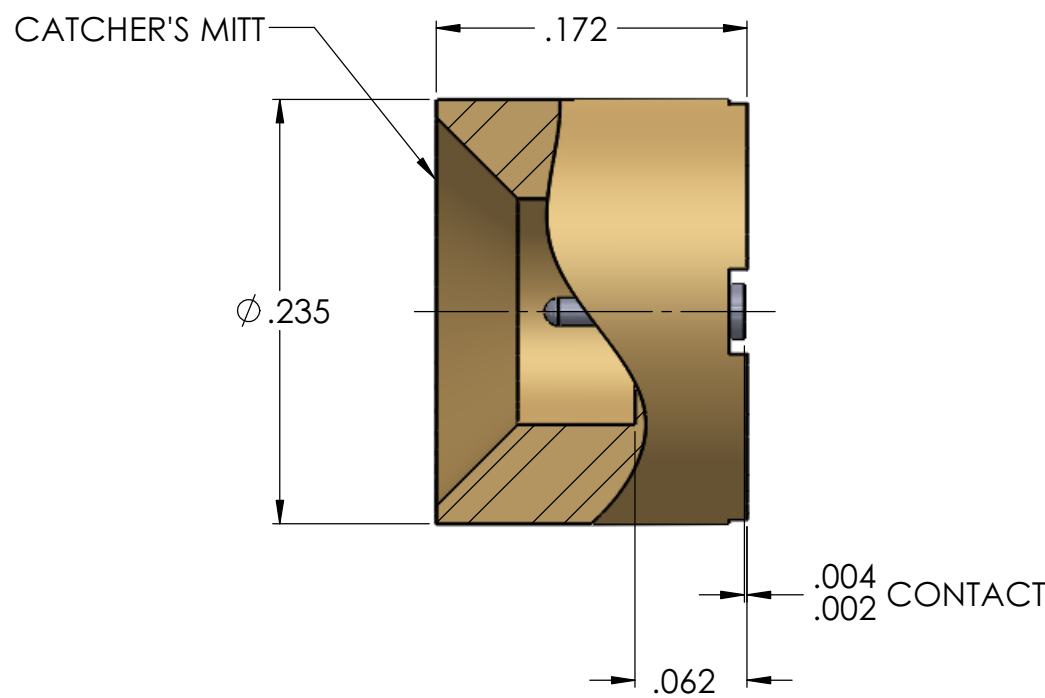
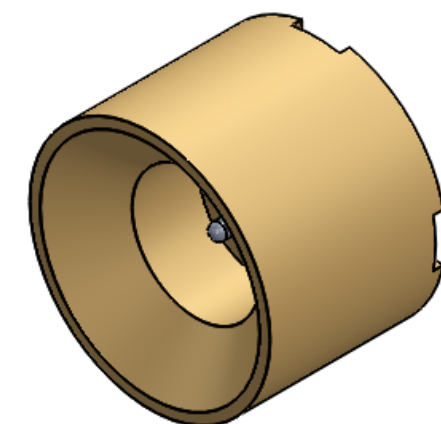




8868000G91P-017



MECHANICAL SPECIFICATIONS	
DURABILITY	500 CYCLES
CAPTIVATION - CONTACT	2 LBS MIN
FORCE TO ENGAGE	7.0 LBS TYP
FORCE TO DISENGAGE	5.0 LBS TYP

ELECTRICAL SPECIFICATIONS	
FREQUENCY RANGE	DC - 6 GHz
VSWR	1.35 MAX
IMPEDANCE	50 ± 2 OHMS
WORKING VOLTAGE @ SEA LEVEL	335 VRMS MAX
DWV @ SEA LEVEL	500 VRMS MIN
INSULATION RESIST.	5000 MΩ

ENVIRONMENTAL SPECIFICATIONS	
SHOCK	MIL-STD-202, METH. 213 COND I
VIBRATION	MIL-STD-202, METH. 204 COND D
ALTITUDE	MIL-STD-202, METH. 105 COND C
THERMAL SHOCK	MIL-STD-202, METH. 107 COND B
TEMP RANGE	-65° TO +125° C

NOTES:

- 1. ASSEMBLED CONNECTOR INTERFACE IS DESIGNED IN ACCORDANCE WITH MIL-STD-348.

DESCRIPTION	MATERIAL	FINISH
INSULATOR	TEFLON PER ASTM D1710, TYPE 1, GRADE 1, CLASS A.	N/A
CONTACT	BERYLLIUM COPPER PER ASTM B196, C17300, TEMPER TD04	GOLD PLATE PER ASTM B488
BODY - HIGH FREQUENCY	CORROSION RESISTANT STEEL PER ASTM 582, S30300 ALLOY, COND. A	GOLD PLATE PER ASTM B488

Table 1

**PROPRIETARY AND CONFIDENTIAL**  
 THE INFORMATION CONTAINED IN THIS DRAWING IS THE SOLE PROPERTY OF DELTA ELECTRONICS MFG CORP. ANY REPRODUCTION IN PART OR AS A WHOLE WITHOUT THE WRITTEN PERMISSION OF DELTA ELECTRONICS MFG CORP. IS PROHIBITED.  
 FILE NAME: 8668000G91P-017T

UNLESS OTHERWISE SPECIFIED:		NAME	DATE
DIMENSIONS ARE IN INCHES			
TOLERANCES:			
FRACTIONAL ± 1/64		DRAWN	ADK 4/9/2015
ANGULAR: MACH ± 1° BEND ± 1°		CHECKED	ADK 4/9/2015
TWO PLACE DECIMAL ±.01		ENG APPR.	BJM 4/9/2015
THREE PLACE DECIMAL ±.005		COMMENTS:	
SURFACE FINISH = 63			
MAX. CORNER BREAKS = .004			

DELTA ELECTRONICS MFG CORP. BEVERLY, MA 01915 www.deltarf.com / Ph: 978-927-1060 / Fax: 978-922-6430		
TITLE: SMP STRAIGHT PCB / SURFACE MOUNT RECEPTACLE MALE POST CONTACT CATCHER'S MITT		
SIZE <b>B</b>	DWG. NO. 8868000G91P-017	REV -
CODE ID - 00795	WEIGHT: g	SHEET 1 OF 1