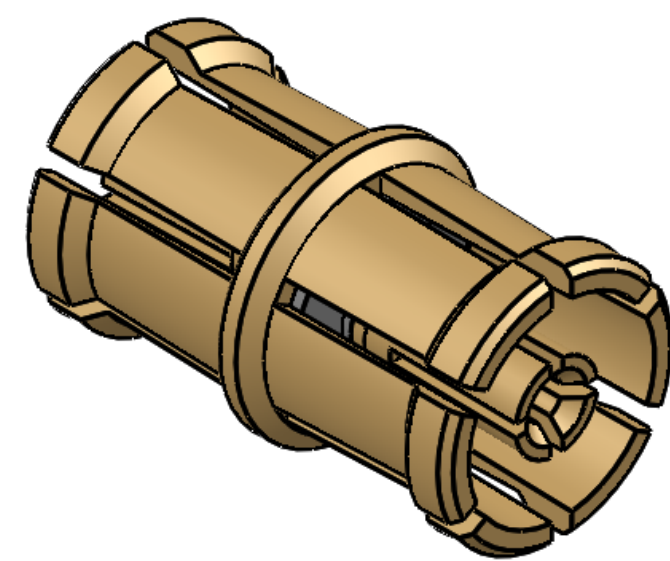
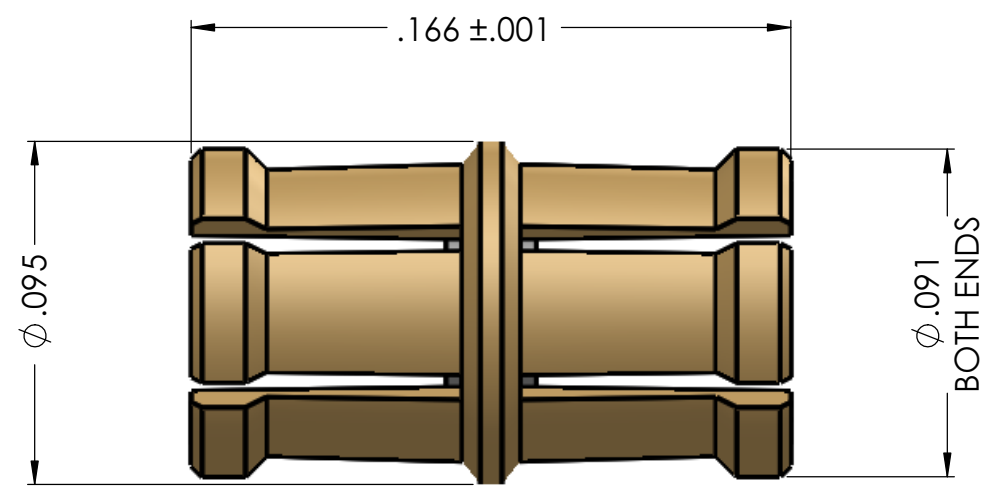
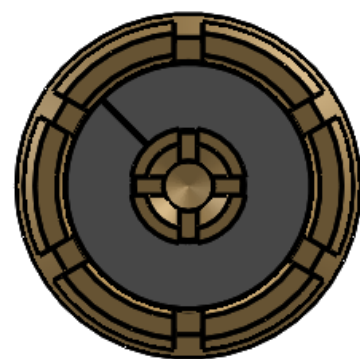


8828000G001-014



NOTES:

- 1. ASSEMBLED CONNECTOR INTERFACE IS DESIGNED IN ACCORDANCE WITH MIL-STD-348.

ELECTRICAL SPECIFICATIONS	
FREQUENCY RANGE	DC - 40 GHz
VSWR	1.25:1 MAX - DC TO 18 GHz 1.35:1 MAX - 18 TO 40 GHz
IMPEDANCE	50 ± 2 OHMS

DESCRIPTION	MATERIAL	FINISH
INSULATOR	TEFLON PER ASTM D1710, TYPE 1, GRADE 1, CLASS A.	N/A
CONTACT - HIGH FREQUENCY	BERYLLIUM COPPER PER ASTM B196, C17300, TEMPER TD04	GOLD PLATE PER ASTM B488
BODY - HIGH FREQUENCY	BERYLLIUM COPPER PER ASTM B196, C17300, TEMPER TD04	GOLD PLATE PER ASTM B488

Table 1

**PROPRIETARY AND CONFIDENTIAL**  
 THE INFORMATION CONTAINED IN THIS DRAWING IS THE SOLE PROPERTY OF DELTA ELECTRONICS MFG CORP. ANY REPRODUCTION IN PART OR AS A WHOLE WITHOUT THE WRITTEN PERMISSION OF DELTA ELECTRONICS MFG CORP. IS PROHIBITED.

FILE NAME: 8828000G001-014T

UNLESS OTHERWISE SPECIFIED:				NAME	DATE	DELTA ELECTRONICS MFG CORP. BEVERLY, MA 01915 www.deltarf.com / Ph: 978-927-1060 / Fax: 978-922-6430 TITLE: SMPM STRAIGHT ADAPTER FEMALE TO FEMALE .166 LONG	
DIMENSIONS ARE IN INCHES				DRAWN	ADK		9/18/2015
TOLERANCES:				CHECKED	ADK		9/18/2015
FRACTIONAL ± 1/64 ANGULAR: MACH ± 1° BEND ± 1° TWO PLACE DECIMAL ± .01 THREE PLACE DECIMAL ± .005 SURFACE FINISH = 63 MAX. CORNER BREAKS = .004				ENG APPR.	BJM		9/18/2015
THIRD ANGLE PROJECTION				COMMENTS:		SIZE <b>B</b> DWG. NO. 8828000G001-014 REV - CODE ID - 00795 WEIGHT: 0.04 g SHEET 1 OF 1	
MATERIAL SEE TABLE				SCALE:			
FINISH SEE TABLE							