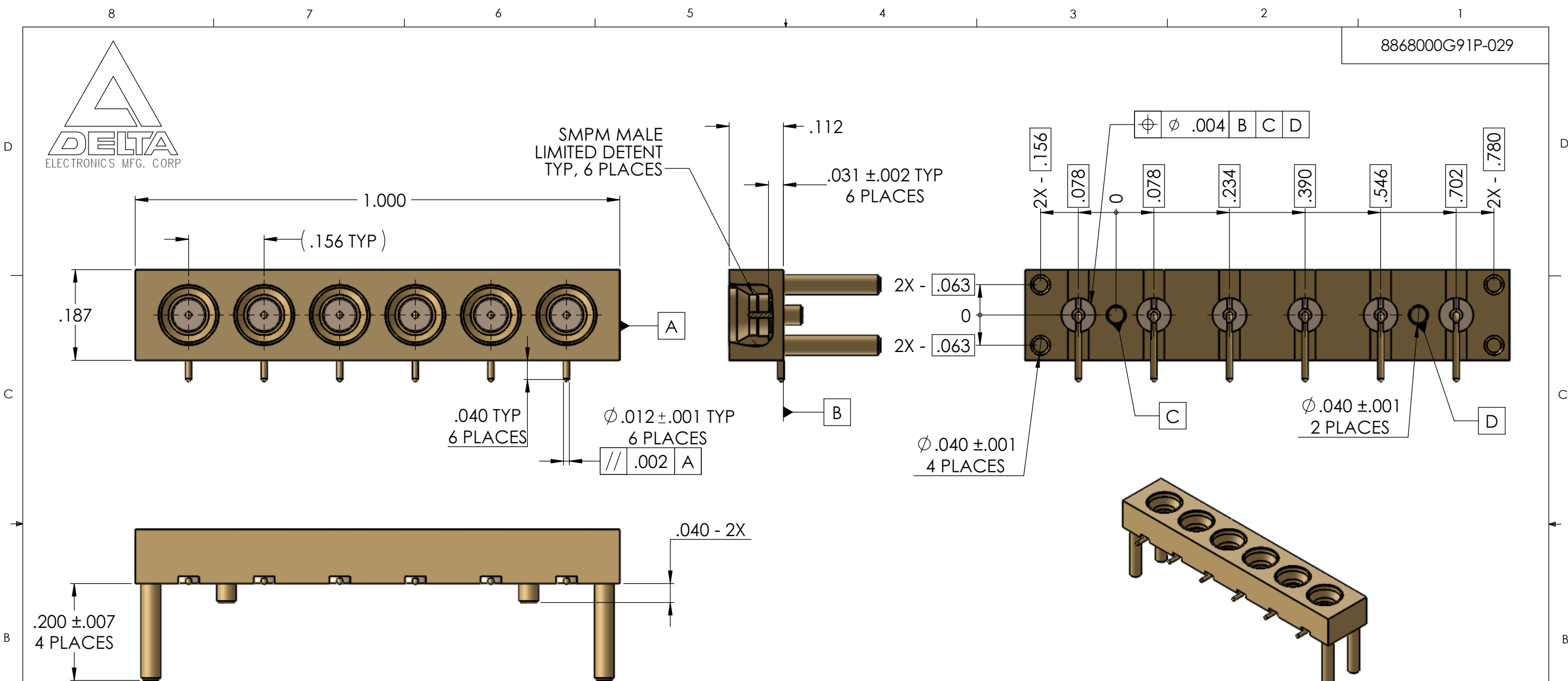




8868000G91P-029



NOTES:

- ASSEMBLED CONNECTOR INTERFACE IS DESIGNED IN ACCORDANCE WITH MIL-STD-348.

DESCRIPTION	MATERIAL	FINISH
INSULATOR	TORLON 4203 (POLYAMIDE-IMIDE) PER MIL-P-46179	N/A
CONTACT	BERYLLIUM COPPER PER ASTM B196, C17300, TEMPER HT	GOLD PLATE PER ASTM B488, TYPE 2, CLASS 1.27
BLOCK	BRASS PER ASTM B16, C36000 ALLOY, TEMPER H02	GOLD PLATE PER ASTM B488, TYPE 2, CLASS .25

Table 1

**PROPRIETARY AND CONFIDENTIAL**  
 THE INFORMATION CONTAINED IN THIS DRAWING IS THE SOLE PROPERTY OF DELTA ELECTRONICS MFG CORP. ANY REPRODUCTION IN PART OR AS A WHOLE WITHOUT THE WRITTEN PERMISSION OF DELTA ELECTRONICS MFG CORP. IS PROHIBITED.  
 FILE NAME: 8868000G91P-029T

UNLESS OTHERWISE SPECIFIED:		NAME	DATE
DIMENSIONS ARE IN INCHES		DRAWN	SRC 5/7/2015
TOLERANCES:		CHECKED	BJM 5/7/2015
FRACTIONAL ± 1/64		ENG APPR.	BJM 5/7/2015
ANGULAR: MACH ± 1° BEND ± 1°		COMMENTS:	
TWO PLACE DECIMAL ± .01		THIRD ANGLE PROJECTION	
THREE PLACE DECIMAL ± .005		MATERIAL SEE TABLE	
SURFACE FINISH = 63		FINISH SEE TABLE	
MAX. CORNER BREAKS = .004		SCALE: 5:1	

REVISIONS		
REV.	DESCRIPTION	DATE
-	RELEASED	7/9/2015
B		5/5/2016
C	UPDATED REVISION TABLE	7/20/2016

DELTA ELECTRONICS MFG CORP. BEVERLY, MA 01915 www.deltarf.com / Ph: 978-927-1060 / Fax: 978-922-6430		
TITLE: SMPM STRAIGHT PCB SURFACE MT MALE (LIMITED DETENT) 6 POSITION BLOCK		
SIZE <b>B</b>	DWG. NO. 8868000G91P-029	REV <b>C</b>
CODE ID - 00795	WEIGHT: 2.45 g	SHEET 1 OF 1