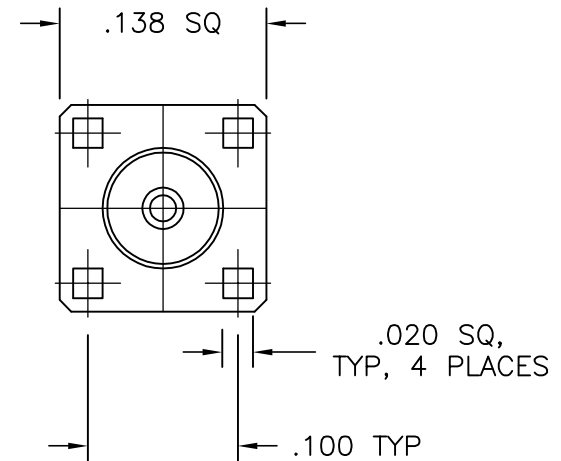
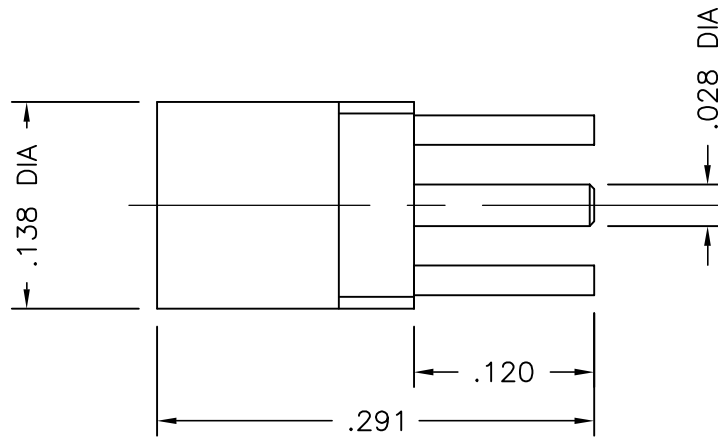




9567-000-G001-500



**NOTES:**

1. MATERIAL: BODY & CONTACT- BRASS PER ASTM B16  
INSULATOR - TEFLON PER ASTM D1710
2. FINISHES: BODY & CONTACT - GOLD PLATE PER MIL-G-45204

UNLESS OTHERWISE SPECIFIED: TOLERANCES: 3 PLACES = ±.005, 2 PLACES = ±.02, ANGLES = ±1/2°, SURFACE FINISH = 63

-	OUTLINE	7/16/03
ALT.	REVISIONS	DATE

DELTA ELECTRONICS MFG. CORP. Beverly, MA 01915					
TITLE: MMCX P.C.B. MOUNT JACK RECEPTACLE - POST CONTACT					
Drawn by BJM	Scale 8/1	Ckd. by MR	Engr Appd MR	FILE NAME: 9567000G001-500T	
7/16/03					

THESE DRAWINGS AND SPECIFICATIONS ARE THE PROPERTY OF DELTA ELECTRONICS MFG CORP. AND SHALL NOT BE REPRODUCED, OR COPIED OR USED AS THE BASIS FOR THE MANUFACTURE OR SALE OF APPARATUS OR DEVICES WITHOUT THEIR EXPRESS WRITTEN CONSENT.

CODE IDENT.-00795

9567-000-G001-500